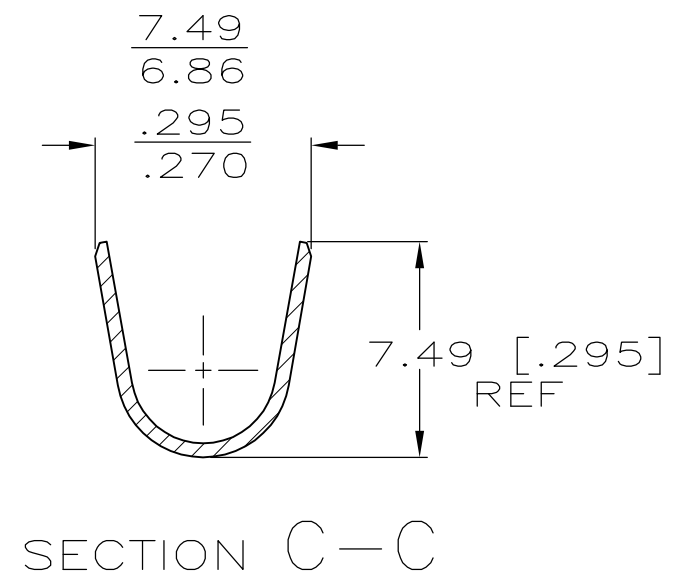
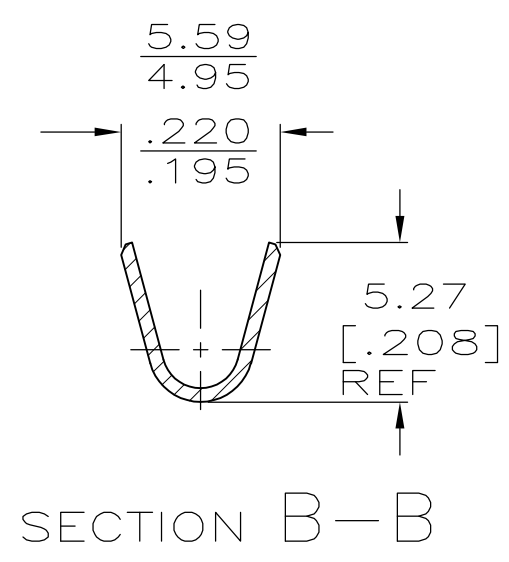
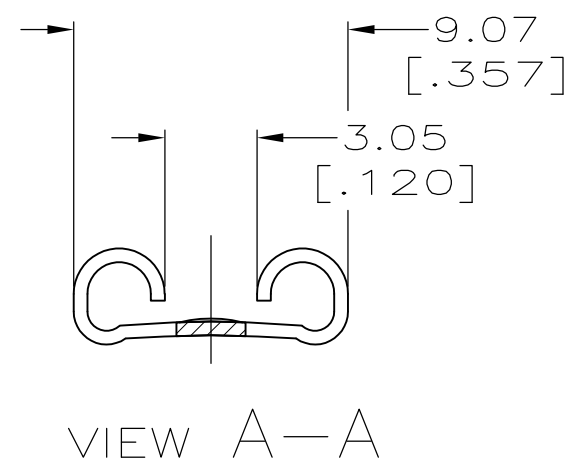
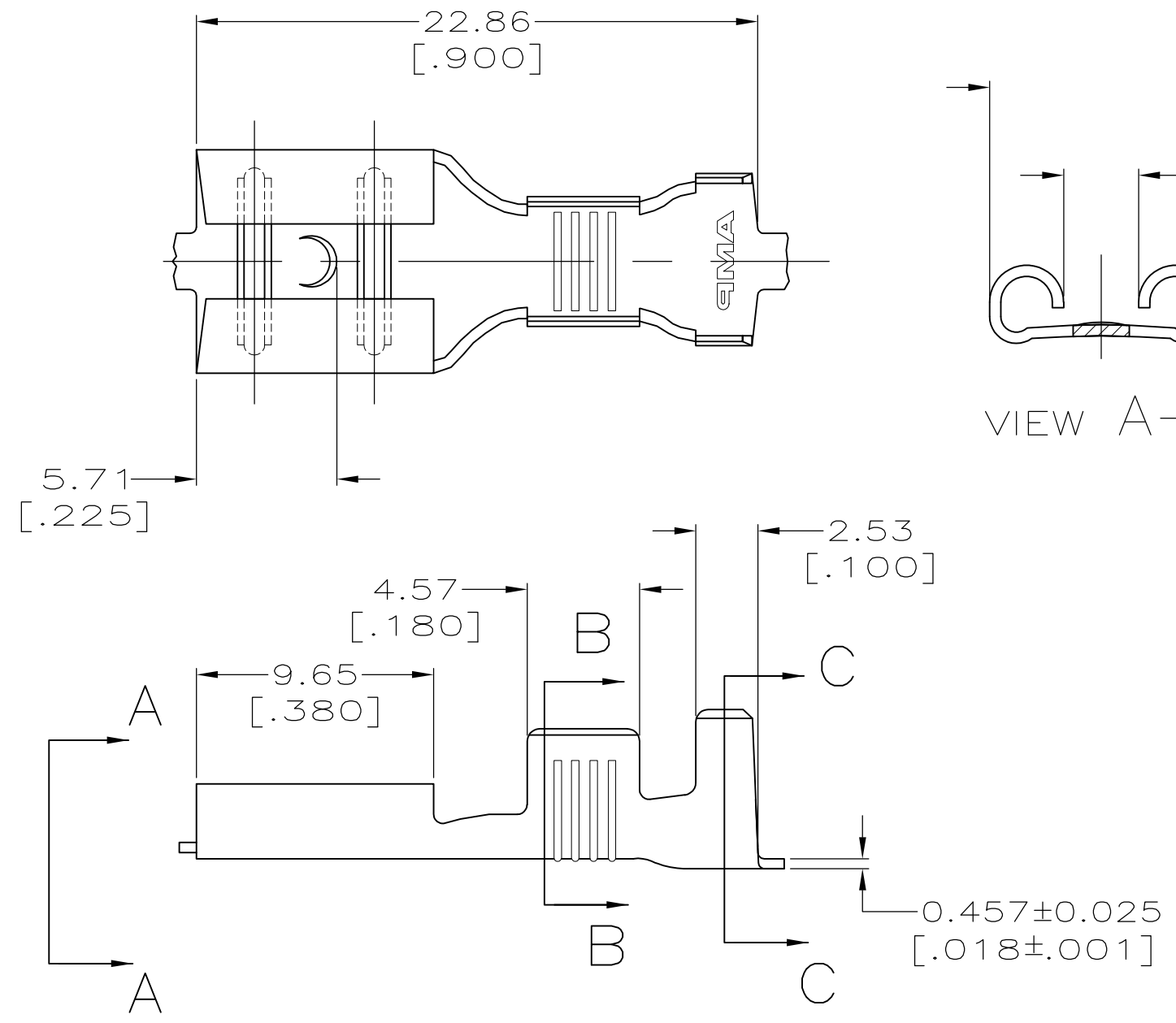


THIS DRAWING IS UNPUBLISHED. RELEASED FOR PUBLICATION
 © COPYRIGHT - By - ALL RIGHTS RESERVED.

REVISIONS					
P	LTR	DESCRIPTION	DATE	DWN	APVD
	F1	REVISED PER ECR-16-008419	14JUN2016	BW	RS

- 1 CONTINUOUS STRIP ON REELS
- 2 WIRE SIZE IS #14-#10 AWG
- 3 INSULATION RANGE IS 3.81-5.08
[.150-.200] DIA.
- 4 MATING TAB THK IS 0.81±0.025
[.032±.001]
- △5 PREPRODUCTION - FASR REQUIRED



TIN	△5 63820-3
0.00381 [.000150] MIN SILVER	63820-1
FINISH	PART NO.

TYPE	WIDTH	STRIP LENGTH	TYPE	WIDTH	HEIGHT	WIRE
F	6.35 [.250]	6.40 [.252]	F	3.56 [.140]	1.98 [.078]	#14
					2.29 [.090]	#12
					2.74 [.108]	#10
INSUL BARREL CRIMP		±0.38 ±[.015]	WIRE BARREL CRIMP		±0.051 ±[.002]	

THIS DRAWING IS A CONTROLLED DOCUMENT.	
DIMENSIONS: mm [INCHES]	TOLERANCES UNLESS OTHERWISE SPECIFIED:
	0 PLC ± -
	1 PLC ± -
	2 PLC ± 0.25 [.010]
	3 PLC ± -
	4 PLC ANGLES ± -
MATERIAL BRASS	FINISH SEE TABLE

DWN JR RUTH 11/3/94	TE Connectivity RECEPTACLE, FASTON, 7.92 [.312] SERIES	NAME	RESTRICTED TO	
CHK MS FEHER 11/3/94		PRODUCT SPEC		
APVD J GILLESPIE 11/3/94		APPLICATION SPEC	SIZE	CAGE CODE
114-2036		114-2036	DRAWING NO	REV
WEIGHT	CUSTOMER DRAWING	A300779	G-63820	
SCALE	4:1	SHEET	1 OF 1	